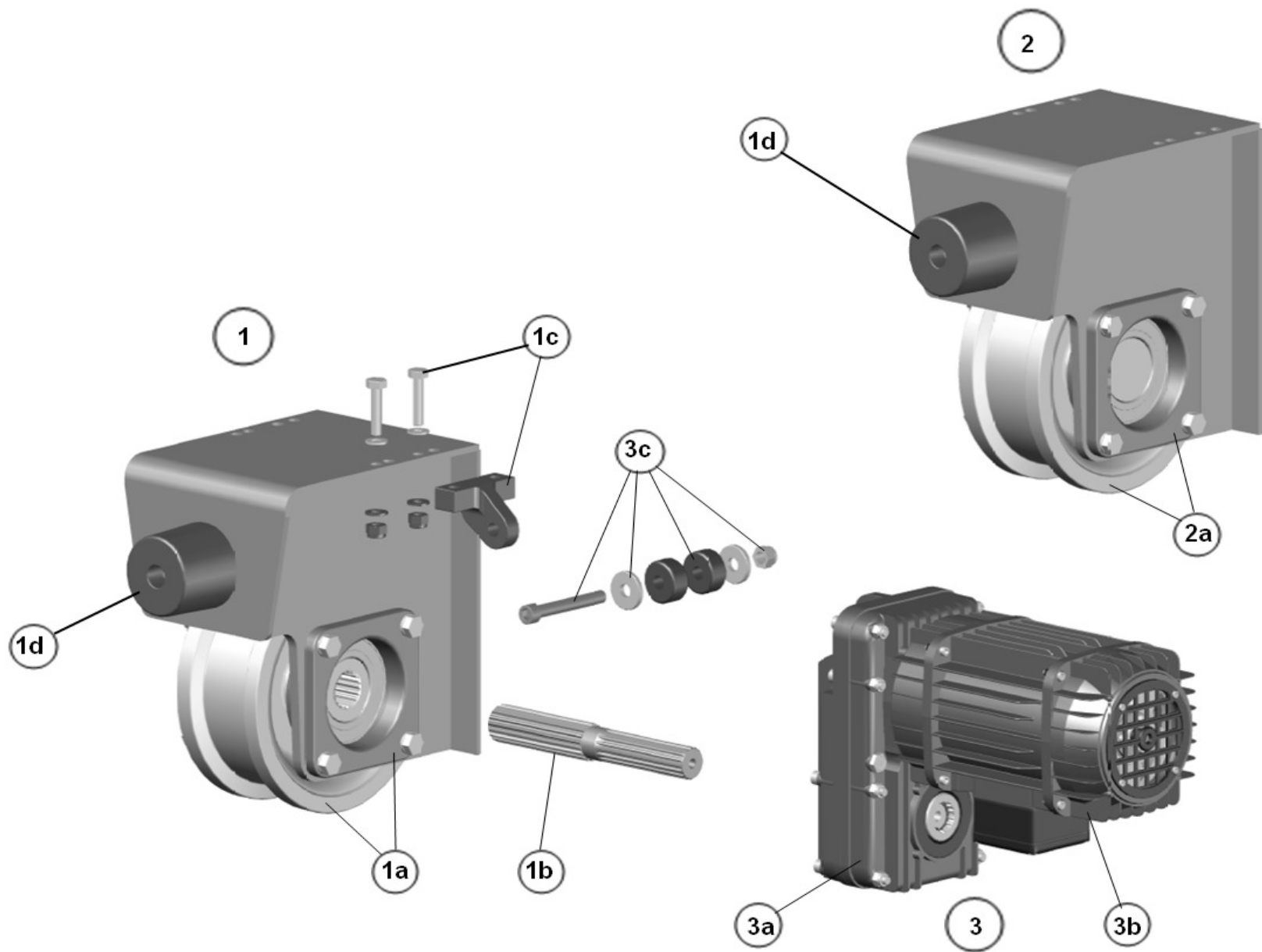
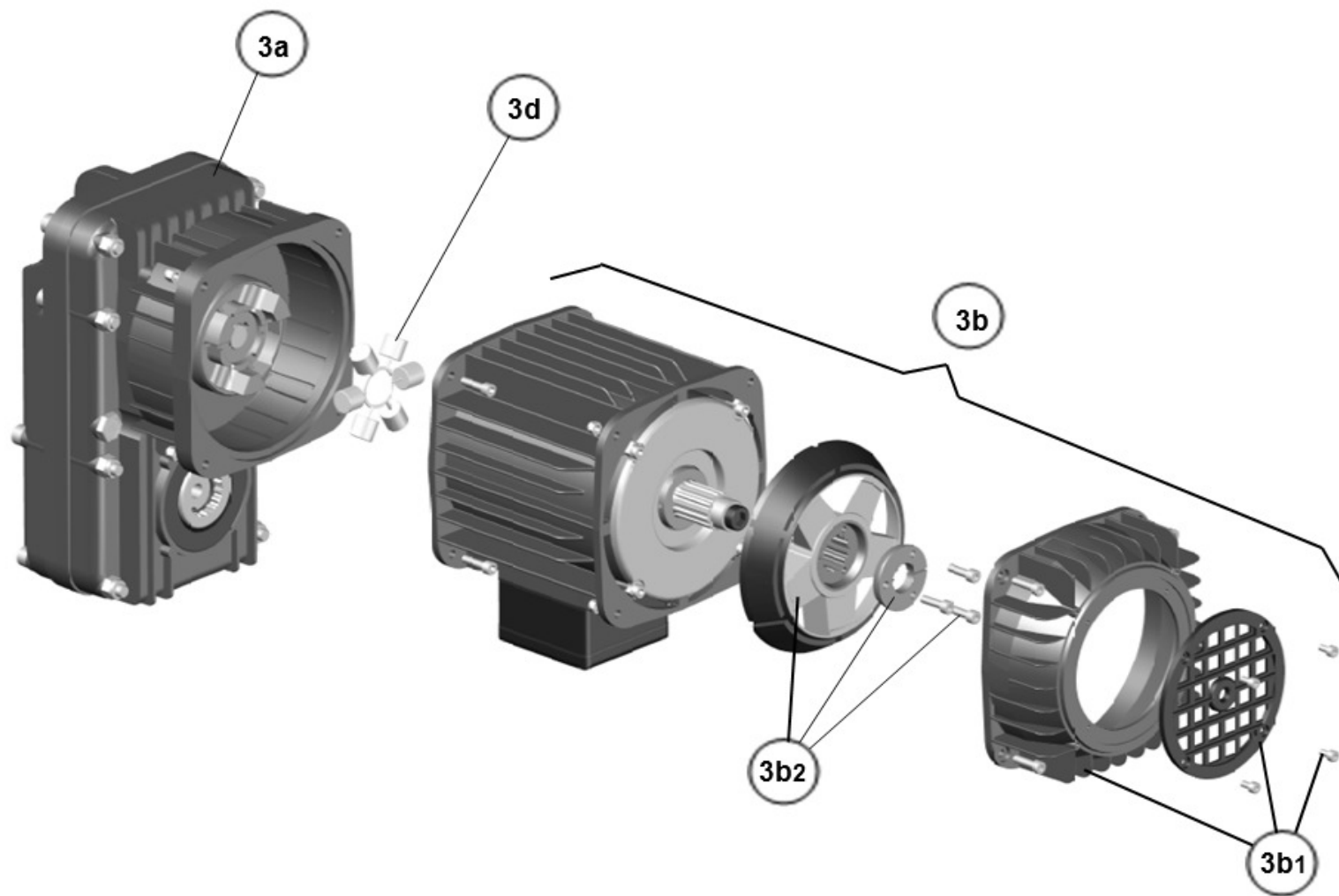


UNITA' DI SCORRIMENTO DGT
DGT DRIVE UNITS
UNITE' DE TRANSLATION DGT
Ricambi / spare parts / Pièces detaches

KMAN05RU00





GRUPPI RUOTA SERIE DGT/ PARTI DI RICAMBIO
DRIVE UNITS DGT/ SPARE PARTS
UNITE' DE TRANSLATION DGT/PIECES DETACHEES

velocità	ruota	motrice	folle	motoriduttore	set ruota motrice	albero collegamento	set braccio reazione	set tamponi	set ruota folle	riduttore	motore	set coperchio motore	set ceppo freno	set tampone reazione	set giunto
speed	wheel	drive	idle wheel	motoreducer	drive wheel set	drive shaft	reaction arm set	buffer set	idle wheel set	reducer	motor	motor cover set	brake shoe set	reaction buffer set	coupling set
vitesses	galet	groupe galet	galet fou	motoreductor	set galet moteur	arbre de transmission	set support reducteur	set butee	set galet fou	reducteur	moteur	set couvercle moteur	set sabot de frein	set butee reducteur	joint set
	DGT	DGT		DGP											
		Pos.1	Pos.2	Pos.3	Pos.1a	Pos.1b	Pos.1c	Pos.1d	Pos.2a	Pos.3a	Pos.3b	Pos.3b1	Pos.3b2	Pos.3c	Pos.3d
m/min	ø mm	Codice/ Code	Codice/ Code	Codice/ Code	Codice/ Code	Codice/ Code	Codice/ Code	Codice/ Code	Codice/ Code	Codice/ Code	Codice/ Code	Codice/ Code	Codice/ Code	Codice/ Code	Codice/ Code
3,2	125	DGT1A0M10	DGT1A0M00	P0M2B18AA0	DGT1A0E10	DGT150350	DGT11S060	DGT11S050	DGT1A0E20	DGP0BB110	M21AP80050	M2001S010	M2001S020	DGP01S010	M20050230
	200	DGT3A0M30	DGT3A0M00	P2M3B18AA0	DGT3A0E10	DGT350361	DGT31S060	DGT31S050	DGT3A0E20	DGP2BB111	M31AP80051	M3001S010	M3001S020	DGP21S010	M20050230
4	125	DGT1A0M10	DGT1A0M00	P0M2B28AA0	DGT1A0E10	DGT150350	DGT11S060	DGT11S050	DGT1A0E20	DGP0BB210	M21AP80050	M2001S010	M2001S020	DGP01S010	M20050230
	160	DGT2A0M10	DGT2A0M00	P0M2B18AA0	DGT2A0E10	DGT250350	DGT11S060	DGT21S050	DGT2A0E20	DGP0BB110	M21AP80050	M2001S010	M2001S020	DGP01S010	M20050230
	200	DGT3A0M30	DGT3A0M00	P2M3B28KA0	DGT3A0E10	DGT350361	DGT31S060	DGT31S050	DGT3A0E20	DGP2BB211	M31AP80051	M3001S010	M3001S020	DGP21S010	M20050230
	250	DGT4A0M32	DGT4A0M00	P2M3B18KA0	DGT4A0E12	DGT550351	DGT41S060	DGT31S050	DGT4A0E20	DGP2BB111	M31AP80051	M3001S010	M3001S020	DGP21S010	M20050230
5	125	DGT1A0M10	DGT1A0M00	P0M2B38AA0	DGT1A0E10	DGT150350	DGT11S060	DGT11S050	DGT1A0E20	DGP0BB310	M21AP80050	M2001S010	M2001S020	DGP01S010	M20050230
		DGT1A0M30		P1M3B38KA0	DGT1A0E10	DGT150360	DGT11S060	DGT11S050	DGT1A0E20	DGP1BB310	M31AP80051	M3001S010	M3001S020	DGP01S010	M20050230
	160	DGT2A0M10	DGT2A0M00	P0M2B28AA0	DGT2A0E10	DGT250350	DGT11S060	DGT21S050	DGT2A0E20	DGP0BB210	M21AP80050	M2001S010	M2001S020	DGP01S010	M20050230
		DGT2A0M30		P1M3B28KA0	DGT2A0E10	DGT250360	DGT11S060	DGT21S050	DGT2A0E20	DGP1BB220	M31AP80051	M3001S010	M3001S020	DGP01S010	M20050230
	200	DGT3A0M10	DGT3A0M00	P1M2B18AA0	DGT3A0E10	DGT350350	DGT31S060	DGT31S050	DGT3A0E20	DGP1BB110	M21AP80050	M2001S010	M2001S020	DGP01S010	M20050230
				P1M3B18KA0	DGT3A0E10	DGT350350	DGT31S060	DGT31S050	DGT3A0E20	DGP1BB120	M31AP80051	M3001S010	M3001S020	DGP01S010	M20050230
	250	DGT4A0M32	DGT4A0M00	P2M3B28KA0	DGT4A0E12	DGT550351	DGT41S060	DGT31S050	DGT4A0E20	DGP2BB211	M31AP80051	M3001S010	M3001S020	DGP21S010	M20050230
				P2M5B28KA0	DGT4A0E12	DGT550351	DGT41S060	DGT31S050	DGT4A0E20	DGP2BB221	M51AP80051	M5001S010	M5001S020	DGP21S010	DRH110410
	315	DGT5A0M12 DX DGT5A0M22 SX	DGT5A0M00	P2M3B18KA0	DGT5A0E12	DGT650351	---	DGT51S050	DGT5A0E20	DGP2BB111	M31AP80051	M3001S010	M3001S020	DGP21S010	M20050230
				P2M5B18KA0	DGT5A0E12	DGT650351	---	DGT51S050	DGT5A0E20	DGP2BB121	M51AP80051	M5001S010	M5001S020	DGP21S010	DRH110410
6,3	125	DGT1A0M10	DGT1A0M00	P0M2B14KA0	DGT1A0E10	DGT150350	DGT11S060	DGT11S050	DGT1A0E20	DGP0BB110	M21AP40051	M2001S010	M2001S020	DGP01S010	M20050230
	160	DGT2A0M10	DGT2A0M00	P0M2B38AA0	DGT2A0E10	DGT250350	DGT11S060	DGT21S050	DGT2A0E20	DGP0BB310	M21AP80050	M2001S010	M2001S020	DGP01S010	M20050230
		DGT2A0M30		P1M3B38KA0	DGT2A0E10	DGT250360	DGT11S060	DGT21S050	DGT2A0E20	DGP1BB320	M31AP80051	M3001S010	M3001S020	DGP01S010	M20050230
	200	DGT3A0M30	DGT3A0M00	P2M3B14KA0	DGT3A0E10	DGT350361	DGT31S060	DGT31S050	DGT3A0E20	DGP2BB111	M31AP40051	M3001S010	M3001S020	DGP21S010	M20050230
	250	DGT4A0M12	DGT4A0M00	P1M2B18AA0	DGT4A0E12	DGT450352	DGT41S060	DGT31S050	DGT4A0E20	DGP1BB110	M21AP80050	M2001S010	M2001S020	DGP01S010	M20050230
				P1M3B18KA0	DGT4A0E12	DGT450352	DGT41S060	DGT31S050	DGT4A0E20	DGP1BB120	M31AP80051	M3001S010	M3001S020	DGP01S010	M20050230
				P2M5B38KA0	DGT4A0E12	DGT550351	DGT41S060	DGT31S050	DGT4A0E20	DGP2BB321	M51AP80051	M5001S010	M5001S020	DGP21S010	DRH110410
	315	DGT5A0M12 DX DGT5A0M22 SX	DGT5A0M00	P2M3B28KA0	DGT5A0E12	DGT650351	---	DGT51S050	DGT5A0E20	DGP2BB231	M31AP80051	M3001S010	M3001S020	DGP21S010	M20050230
				P2M5B28KA0	DGT5A0E12	DGT650351	---	DGT51S050	DGT5A0E20	DGP2BB241	M51AP80051	M5001S010	M5001S020	DGP21S010	DRH110410
	400	DGT6A0M12 DX DGT6A0M22 SX	DGT6A0M00	P2M3B18KA0	DGT6A0E12	DGT650352	---	DGT61S050	DGT6A0E20	DGP2BB111	M31AP80051	M3001S010	M3001S020	DGP21S010	M20050230
				P2M5B18KA0	DGT6A0E12	DGT650352	---	DGT61S050	DGT6A0E20	DGP2BB121	M51AP80051	M5001S010	M5001S020	DGP21S010	DRH110410
	400 R	DGT6A0M62 DX DGT6A0M72 SX	DGT6A0M50	P2M5B18KA0	DGT6A0E32	DGT650352	---	DGT61S050	DGT6A0E40	DGP2BB121	M51AP80051	M5001S010	M5001S020	DGP21S010	DRH110410
				DGT6A0E32	DGT650352	---	DGT61S050	DGT6A0E40	DGP2BB121	M51AP80051	M5001S010	M5001S020	DGP21S010	DRH110410	

velocità	ruota	motrice	folle	motoriduttore	set ruota motrice	albero collegamento	set braccio reazione	set tamponi	set ruota folle	riduttore	motore	set coperchio motore	set ceppo freno	set tampone reazione	set giunto
speed	wheel	drive	idle wheel	motoreducer	drive wheel set	drive shaft	reaction arm set	buffer set	idle wheel set	reducer	motor	motor cover set	brake shoe set	reaction buffer set	coupling set
vitesse	galet	groupe galet	galet fou	motoreductor	set galet moteur	arbre de transmission	set support reducteur	set butee	set galet fou	reducteur	moteur	set couvercle moteur	set sabot de frein	set butee reducteur	joint set
	DGT	DGT		DGP											
		Pos.1	Pos.2	Pos.3	Pos.1a	Pos.1b	Pos.1c	Pos.1d	Pos.2a	Pos.3a	Pos.3b	Pos.3b1	Pos.3b2	Pos.3c	Pos.3d
m/min	ø mm	Codice/ Code	Codice/ Code	Codice/ Code	Codice/ Code	Codice/ Code	Codice/ Code	Codice/ Code	Codice/ Code	Codice/ Code	Codice/ Code	Codice/ Code	Codice/ Code	Codice/ Code	Codice/ Code
8	125	DGT1A0M10	DGT1A0M00	P0M2B24KA0	DGT1A0E10	DGT150350	DGT11S060	DGT11S050	DGT1A0E20	DGP0BB210	M21AP40051	M2001S010	M2001S020	DGP01S010	M20050230
	160	DGT2A0M10	DGT2A0M00	P0M2B14KA0	DGT2A0E10	DGT250350	DGT11S060	DGT21S050	DGT2A0E20	DGP0BB110	M21AP40051	M2001S010	M2001S020	DGP01S010	M20050230
		DGT2A0M30		P1M2B14KA0	DGT2A0E10	DGT250360	DGT11S060	DGT21S050	DGT2A0E20	DGP1BB110	M21AP40051	M2001S010	M2001S020	DGP01S010	M20050230
	200	DGT3A0M10	DGT3A0M00	P1M2B38AA0	DGT3A0E10	DGT350350	DGT31S060	DGT31S050	DGT3A0E20	DGP1BB310	M21AP80050	M2001S010	M2001S020	DGP01S010	M20050230
		DGT3A0M30		P1M3B38KA0	DGT3A0E10	DGT350350	DGT31S060	DGT31S050	DGT3A0E20	DGP1BB320	M31AP80051	M3001S010	M3001S020	DGP01S010	M20050230
	250	DGT4A0M12	DGT4A0M00	P2M3B24KA0	DGT3A0E10	DGT350361	DGT31S060	DGT31S050	DGT3A0E20	DGP2BB211	M31AP40051	M3001S010	M3001S020	DGP21S010	M20050230
		DGT4A0M32		P1M3B28KA0	DGT4A0E12	DGT450352	DGT41S060	DGT31S050	DGT4A0E20	DGP1BB210	M31AP80051	M3001S010	M3001S020	DGP01S010	M20050230
	315	DGT5A0M12 DX	DGT5A0M00	P2M3B38KA0	DGT5A0E12	DGT650351	---	DGT51S050	DGT5A0E20	DGP2BB311	M31AP80051	M3001S010	M3001S020	DGP21S010	M20050230
		DGT5A0M22 SX		P2M5B38KA0	DGT5A0E12	DGT650351	---	DGT51S050	DGT5A0E20	DGP2BB321	M51AP80051	M5001S010	M5001S020	DGP21S010	DRH110410
	400	DGT6A0M12 DX	DGT6A0M00	P2M3B28KA0	DGT6A0E12	DGT650352	---	DGT61S050	DGT6A0E20	DGP2BB211	M31AP80051	M3001S010	M3001S020	DGP21S010	M20050230
		DGT6A0M22 DX		P2M5B28KA0	DGT6A0E12	DGT650352	---	DGT61S050	DGT6A0E20	DGP2BB221	M51AP80051	M5001S010	M5001S020	DGP21S010	DRH110410
	400 R	DGT6A0M62 DX	DGT6A0M50	P2M5B28KA0	DGT6A0E32	DGT650352	---	DGT61S050	DGT6A0E40	DGP2BB221	M51AP80051	M5001S010	M5001S020	DGP21S010	DRH110410
DGT6A0M72 SX		DGT6A0E32		DGT650352	---	DGT61S050	DGT6A0E40	DGP2BB221	M51AP80051	M5001S010	M5001S020	DGP21S010	DRH110410		
10	125	DGT1A0M10	DGT1A0M00	P0M2B34KA0	DGT1A0E10	DGT150350	DGT11S060	DGT11S050	DGT1A0E20	DGP0BB310	M21AP40051	M2001S010	M2001S020	DGP01S010	M20050230
	160	DGT2A0M10	DGT2A0M00	P0M2B24KA0	DGT2A0E10	DGT250350	DGT11S060	DGT21S050	DGT2A0E20	DGP0BB210	M21AP40051	M2001S010	M2001S020	DGP01S010	M20050230
		DGT2A0M30		P1M3B24KA0	DGT2A0E10	DGT250360	DGT11S060	DGT21S050	DGT2A0E20	DGP1BB220	M31AP40051	M2001S010	M2001S020	DGP01S010	M20050230
	200	DGT3A0M10	DGT3A0M00	P1M2B14KA0	DGT3A0E10	DGT350350	DGT31S060	DGT31S050	DGT3A0E20	DGP1BB110	M21AP40051	M2001S010	M2001S020	DGP01S010	M20050230
		DGT3A0M30		P1M3B14KA0	DGT3A0E10	DGT350350	DGT31S060	DGT31S050	DGT3A0E20	DGP1BB120	M21AP40051	M2001S010	M2001S020	DGP01S010	M20050230
	250	DGT4A0M12	DGT4A0M00	P1M3B38KA0	DGT4A0E12	DGT450352	DGT41S060	DGT31S050	DGT4A0E20	DGP1BB320	M31AP80051	M3001S010	M3001S020	DGP01S010	M20050230
		DGT4A0M32		P2M3B24KA0	DGT4A0E12	DGT550351	DGT41S060	DGT31S050	DGT4A0E20	DGP2BB211	M31AP40051	M3001S010	M3001S020	DGP21S010	M20050230
	315	DGT5A0M12 DX	DGT5A0M00	P2M3B14KA0	DGT5A0E12	DGT650351	---	DGT51S050	DGT5A0E20	DGP2BB111	M31AP40051	M3001S010	M3001S020	DGP21S010	M20050230
		DGT5A0M22 SX		P2M5B14KA0	DGT5A0E12	DGT650351	---	DGT51S050	DGT5A0E20	DGP2BB121	M51AP40051	M5001S010	M5001S020	DGP21S010	DRH110410
	400	DGT6A0M12 DX	DGT6A0M00	P2M5B38KA0	DGT6A0E12	DGT650352	---	DGT61S050	DGT6A0E20	DGP2BB321	M51AP80051	M5001S010	M5001S020	DGP21S010	DRH110410
		DGT6A0M22 DX		DGT6A0E12	DGT650352	---	DGT61S050	DGT6A0E20	DGP2BB321	M51AP80051	M5001S010	M5001S020	DGP21S010	DRH110410	
	400 R	DGT6A0M32 DX	DGT6A0M50	P3M6B18AA0	DGT6A0E12	DGT650362	---	DGT61S050	DGT6A0E20	DGP3BB111	M61AP80050	DRH11S010	DRH11S020	DGP31S010	DRH110410
DGT6A0M42 DX		DGT6A0E12		DGT650362	---	DGT61S050	DGT6A0E20	DGP3BB111	M61AP80050	DRH11S010	DRH11S020	DGP31S010	DRH110410		
400 R	DGT6A0M62 DX	DGT6A0M50	P2M5B38KA0	DGT6A0E32	DGT650352	---	DGT61S050	DGT6A0E40	DGP2BB321	M51AP80051	M5001S010	M5001S020	DGP21S010	DRH110410	
	DGT6A0M72 SX		DGT6A0E32	DGT650352	---	DGT61S050	DGT6A0E40	DGP2BB321	M51AP80051	M5001S010	M5001S020	DGP21S010	DRH110410		
400 R	DGT6A0M82 DX	DGT6A0M50	P3M6B18AA0	DGT6A0E32	DGT650362	---	DGT61S050	DGT6A0E40	DGP3BB111	M61AP80050	DRH11S010	DRH11S020	DGP31S010	DRH110410	
	DGT6A0M92 SX		DGT6A0E32	DGT650362	---	DGT61S050	DGT6A0E40	DGP3BB111	M61AP80050	DRH11S010	DRH11S020	DGP31S010	DRH110410		

velocità	ruota	motrice	folle	motoriduttore	set ruota motrice	albero collegamento	set braccio reazione	set tamponi	set ruota folle	riduttore	motore	set coperchio motore	set ceppo freno	set tampone reazione	set giunto
speed	wheel	drive	idle wheel	motoreducer	drive wheel set	drive shaft	reaction arm set	buffer set	idle wheel set	reducer	motor	motor cover set	brake shoe set	reaction buffer set	coupling set
vitesse	galet	groupe galet	galet fou	motoreductor	set galet moteur	arbre de transmission	set support reducteur	set butee	set galet fou	reducteur	moteur	set couvercle moteur	set sabot de frein	set butee reducteur	joint set
	DGT	DGT		DGP											
		Pos.1	Pos.2	Pos.3	Pos.1a	Pos.1b	Pos.1c	Pos.1d	Pos.2a	Pos.3a	Pos.3b	Pos.3b1	Pos.3b2	Pos.3c	Pos.3d
m/min	ø mm	Codice/ Code	Codice/ Code	Codice/ Code	Codice/ Code	Codice/ Code	Codice/ Code	Codice/ Code	Codice/ Code	Codice/ Code	Codice/ Code	Codice/ Code	Codice/ Code	Codice/ Code	Codice/ Code
12,5	125	DGT1A0M10	DGT1A0M00	P0M2B12KA0	DGT1A0E10	DGT150350	DGT11S060	DGT11S050	DGT1A0E20	DGP0BB110	M21AP20051	M2001S010	M2001S020	DGP01S010	M20050230
	160	DGT2A0M10	DGT2A0M00	P0M2B34KA0	DGT2A0E10	DGT250350	DGT11S060	DGT21S050	DGT2A0E20	DGP0BB310	M21AP40051	M2001S010	M2001S020	DGP01S010	M20050230
		DGT2A0M30		P1M2B34KA0	DGT2A0E10	DGT250360	DGT11S060	DGT21S050	DGT2A0E20	DGP1BB310	M21AP40051	M2001S010	M2001S020	DGP01S010	M20050230
	200	DGT3A0M10	DGT3A0M00	P1M2B24KA0	DGT3A0E10	DGT350350	DGT31S060	DGT31S050	DGT3A0E20	DGP1BB210	M21AP40051	M2001S010	M2001S020	DGP01S010	M20050230
		DGT3A0M30		P1M3B24KA0	DGT3A0E10	DGT350350	DGT31S060	DGT31S050	DGT3A0E20	DGP1BB220	M21AP40051	M3001S010	M3001S020	DGP01S010	M20050230
	250	DGT4A0M12	DGT4A0M00	P1M2B14KA0	DGT4A0E12	DGT450352	DGT41S060	DGT31S050	DGT4A0E20	DGP1BB110	M21AP40051	M2001S010	M2001S020	DGP01S010	M20050230
				P1M3B14KA0	DGT4A0E12	DGT450352	DGT41S060	DGT31S050	DGT4A0E20	DGP1BB120	M31AP40051	M3001S010	M3001S020	DGP01S010	M20050230
		DGT4A0M32	P2M5B34KA0	DGT4A0E12	DGT550351	DGT41S060	DGT31S050	DGT4A0E20	DGP2BB321	M51AP40051	M5001S010	M5001S020	DGP21S010	DRH110410	
	315	DGT5A0M12 DX	DGT5A0M00	P2M3B24KA0	DGT5A0E12	DGT650351	---	DGT51S050	DGT5A0E20	DGP2BB211	M31AP40051	M3001S010	M3001S020	DGP21S010	M20050230
		DGT5A0M22 SX		P2M5B24KA0	DGT5A0E12	DGT650351	---	DGT51S050	DGT5A0E20	DGP2BB221	M31AP40051	M5001S010	M5001S020	DGP21S010	DRH110410
	400	DGT6A0M12 DX	DGT6A0M00	P2M3B14KA0	DGT6A0E12	DGT650352	---	DGT61S050	DGT6A0E20	DGP2BB111	M31AP40051	M3001S010	M3001S020	DGP21S010	M20050230
				DGT6A0M22 SX	P2M5B14KA0	DGT6A0E12	DGT650352	---	DGT61S050	DGT6A0E20	DGP2BB121	M51AP40051	M5001S010	M5001S020	DGP21S010
	400 R	DGT6A0M62 DX	DGT6A0M50	P2M5B14KA0	DGT6A0E32	DGT650352	---	DGT61S050	DGT6A0E40	DGP2BB121	M51AP40051	M5001S010	M5001S020	DGP21S010	DRH110410
					DGT6A0M72 SX	DGT6A0E32	DGT650352	---	DGT61S050	DGT6A0E40	DGP2BB121	M51AP40051	M5001S010	M5001S020	DGP21S010
16	125	DGT1A0M10	DGT1A0M00	P0M2B22KA0	DGT1A0E10	DGT150350	DGT11S060	DGT11S050	DGT1A0E20	DGP0BB210	M21AP20051	M2001S010	M2001S020	DGP01S010	M20050230
	160	DGT2A0M10	DGT2A0M00	P0M2B12KA0	DGT2A0E10	DGT250350	DGT11S060	DGT21S050	DGT2A0E20	DGP0BB110	M21AP20051	M2001S010	M2001S020	DGP01S010	M20050230
		DGT2A0M30		P1M2B12KA0	DGT2A0E10	DGT250360	DGT11S060	DGT21S050	DGT2A0E20	DGP1BB110	M21AP20051	M2001S010	M2001S020	DGP01S010	M20050230
	200	DGT3A0M10	DGT3A0M00	P1M2B34KA0	DGT3A0E10	DGT350350	DGT31S060	DGT31S050	DGT3A0E20	DGP1BB310	M21AP40051	M2001S010	M2001S020	DGP01S010	M20050230
				P1M3B34KA0	DGT3A0E10	DGT350350	DGT31S060	DGT31S050	DGT3A0E20	DGP1BB320	M31AP40051	M3001S010	M3001S020	DGP01S010	M20050230
	250	DGT4A0M12	DGT4A0M00	P2M3B22KA0	DGT3A0E10	DGT350361	DGT31S060	DGT31S050	DGT3A0E20	DGP2BB211	M31AP20051	M3001S010	M3001S020	DGP21S010	M20050230
				DGT4A0M32	P1M3B24KA0	DGT4A0E12	DGT450352	DGT41S060	DGT31S050	DGT4A0E20	DGP1BB210	M31AP40051	M3001S010	M3001S020	DGP01S010
	315	DGT5A0M12 DX	DGT5A0M00	P2M3B12KA0	DGT4A0E12	DGT550351	DGT41S060	DGT31S050	DGT4A0E20	DGP2BB111	M31AP20051	M3001S010	M3001S020	DGP21S010	M20050230
				DGT5A0M22 SX	P2M3B34KA0	DGT5A0E12	DGT650351	---	DGT51S050	DGT5A0E20	DGP2BB311	M31AP40051	M3001S010	M3001S020	DGP21S010
	400	DGT6A0M12 DX	DGT6A0M00	P2M5B34KA0	DGT5A0E12	DGT650351	---	DGT51S050	DGT5A0E20	DGP2BB321	M51AP40051	M5001S010	M5001S020	DGP21S010	DRH110410
				DGT6A0M22 SX	P2M3B24KA0	DGT6A0E12	DGT650352	---	DGT61S050	DGT6A0E20	DGP2BB111	M31AP40051	M3001S010	M3001S020	DGP21S010
	400 R	DGT6A0M62 DX	DGT6A0M50	P2M5B24KA0	DGT6A0E12	DGT650352	---	DGT61S050	DGT6A0E20	DGP2BB211	M51AP40051	M5001S010	M5001S020	DGP21S010	DRH110410
					DGT6A0M72 SX	DGT6A0E32	DGT650352	---	DGT61S050	DGT6A0E40	DGP2BB221	M51AP40051	M5001S010	M5001S020	DGP21S010

velocità	ruota	motrice	folle	motoriduttore	set ruota motrice	albero collegamento	set braccio reazione	set tamponi	set ruota folle	riduttore	motore	set coperchio motore	set ceppo freno	set tampone reazione	set giunto	
speed	wheel	drive	idle wheel	motoreducer	drive wheel set	drive shaft	reaction arm set	buffer set	idle wheel set	reducer	motor	motor cover set	brake shoe set	reaction buffer set	coupling set	
vitesse	galet	groupe galet	galet fou	motoreductor	set galet moteur	arbre de transmission	set support reducteur	set butee	set galet fou	reducteur	moteur	set couvercle moteur	set sabot de frein	set butee reducteur	joint set	
	DGT	DGT		DGP												
		Pos.1	Pos.2	Pos.3	Pos.1a	Pos.1b	Pos.1c	Pos.1d	Pos.2a	Pos.3a	Pos.3b	Pos.3b1	Pos.3b2	Pos.3c	Pos.3d	
m/min	ø mm	Codice/ Code	Codice/ Code	Codice/ Code	Codice/ Code	Codice/ Code	Codice/ Code	Codice/ Code	Codice/ Code	Codice/ Code	Codice/ Code	Codice/ Code	Codice/ Code	Codice/ Code	Codice/ Code	
20	125	DGT1A0M10	DGT1A0M00	P0M2B32KA0	DGT1A0E10	DGT150350	DGT11S060	DGT11S050	DGT1A0E20	DGP0BB310	M21AP20051	M2001S010	M2001S020	DGP01S010	M20050230	
	160	DGT2A0M10	DGT2A0M00	P0M2B22KA0	DGT2A0E10	DGT250350	DGT11S060	DGT21S050	DGT2A0E20	DGP0BB210	M21AP20051	M2001S010	M2001S020	DGP01S010	M20050230	
		DGT2A0M30		P1M2B21KA0	DGT2A0E10	DGT250360	DGT11S060	DGT21S050	DGT2A0E20	DGP1BB210	M21AP21050	M2001S010	M2001S020	DGP01S010	M20050230	
	200	DGT3A0M10	DGT3A0M00	P1M2B12KA0	DGT3A0E10	DGT350350	DGT31S060	DGT31S050	DGT3A0E20	DGP1BB110	M21AP20051	M2001S010	M2001S020	DGP01S010	M20050230	
				P1M2B11KA0	DGT3A0E10	DGT350350	DGT31S060	DGT31S050	DGT3A0E20	DGP1BB110	M21AP21050	M2001S010	M2001S020	DGP01S010	M20050230	
				P1M3B12KA0	DGT3A0E10	DGT350350	DGT31S060	DGT31S050	DGT3A0E20	DGP1BB120	M31AP20051	M3001S010	M3001S020	DGP01S010	M20050230	
	250	DGT4A0M12 DGT4A0M32	DGT4A0M00	P1M3B34KA0	DGT4A0E12	DGT450352	DGT41S060	DGT31S050	DGT4A0E20	DGP1BB310	M31AP40051	M3001S010	M3001S020	DGP01S010	M20050230	
				P2M3B22KA0	DGT4A0E12	DGT550351	DGT41S060	DGT31S050	DGT4A0E20	DGP2BB211	M31AP20051	M3001S010	M3001S020	DGP21S010	M20050230	
				P2M3B21KA0	DGT4A0E12	DGT550351	DGT41S060	DGT31S050	DGT4A0E20	DGP2BB211	M31AP21050	M3001S010	M3001S020	DGP21S010	M20050230	
	315	DGT5A0M12 DX DGT5A0M22 SX	DGT5A0M00	P2M3B12KA0	DGT5A0E12	DGT650351	---	DGT51S050	DGT5A0E20	DGP2BB111	M31AP20051	M3001S010	M3001S020	DGP21S010	M20050230	
				P2M3B11KA0	DGT5A0E12	DGT650351	---	DGT51S050	DGT5A0E20	DGP2BB111	M31AP21050	M3001S010	M3001S020	DGP21S010	M20050230	
				P2M5B12KA0	DGT5A0E12	DGT650351	---	DGT51S050	DGT5A0E20	DGP2BB121	M51AP20051	M5001S010	M5001S020	DGP21S010	DRH110410	
	400	DGT6A0M12 DX DGT6A0M22 SX DGT6A0M32 DX DGT6A0M42 SX	DGT6A0M00	P2M5B34KA0	DGT6A0E12	DGT650352	---	DGT61S050	DGT6A0E20	DGP2BB321	M51AP40051	M5001S010	M5001S020	DGP21S010	DRH110410	
				P3M6B14AA0	DGT6A0E12	DGT650352	---	DGT61S050	DGT6A0E20	DGP2BB321	M51AP40051	M5001S010	M5001S020	DGP21S010	DRH110410	
					DGT6A0E12	DGT650362	---	DGT61S050	DGT6A0E20	DGP3BB111	M61AP40050	DRH11S010	DRH11S020	DGP31S010	DRH110410	
	400 R	DGT6A0M62 DX DGT6A0M72 SX DGT6A0M82 DX DGT6A0M92 SX	DGT6A0M50	P2M5B34KA0	DGT6A0E32	DGT650352	---	DGT61S050	DGT6A0E40	DGP2BB321	M51AP40051	M5001S010	M5001S020	DGP21S010	DRH110410	
					DGT6A0E32	DGT650352	---	DGT61S050	DGT6A0E40	DGP2BB321	M51AP40051	M5001S010	M5001S020	DGP21S010	DRH110410	
				P3M6B14AA0	DGT6A0E32	DGT650362	---	DGT61S050	DGT6A0E40	DGP3BB111	M61AP40050	DRH11S010	DRH11S020	DGP31S010	DRH110410	
						DGT6A0E32	DGT650362	---	DGT61S050	DGT6A0E40	DGP3BB111	M61AP40050	DRH11S010	DRH11S020	DGP31S010	DRH110410

velocità	ruota	motrice	folle	motoriduttore	set ruota motrice	albero collegamento	set braccio reazione	set tamponi	set ruota folle	riduttore	motore	set coperchio motore	set ceppo freno	set tampone reazione	set giunto
speed	wheel	drive	idle wheel	motoreducer	drive wheel set	drive shaft	reaction arm set	buffer set	idle wheel set	reducer	motor	motor cover set	brake shoe set	reaction buffer set	coupling set
vitesse	galet	groupe galet	galet fou	motoreductor	set galet moteur	arbre de transmission	set support reducteur	set butee	set galet fou	reducteur	moteur	set couvercle moteur	set sabot de frein	set butee reducteur	joint set
	DGT	DGT		DGP											
		Pos.1	Pos.2	Pos.3	Pos.1a	Pos.1b	Pos.1c	Pos.1d	Pos.2a	Pos.3a	Pos.3b	Pos.3b1	Pos.3b2	Pos.3c	Pos.3d
m/min	ø mm	Codice/ Code	Codice/ Code	Codice/ Code	Codice/ Code	Codice/ Code	Codice/ Code	Codice/ Code	Codice/ Code	Codice/ Code	Codice/ Code	Codice/ Code	Codice/ Code	Codice/ Code	Codice/ Code
25	125	DGT1A0M10	DGT1A0M00	P0M2B42KA0	DGT1A0E10	DGT150350	DGT11S060	DGT11S050	DGT1A0E20	DGP0BB410	M21AP20051	M2001S010	M2001S020	DGP01S010	M20050230
		P0M2B41KA0		DGT1A0E10	DGT150350	DGT11S060	DGT11S050	DGT1A0E20	DGP0BB410	M21AP21050	M2001S010	M2001S020	DGP01S010	M20050230	
		DGT1A0M30		P1M3B42KA0	DGT1A0E10	DGT150360	DGT11S060	DGT11S050	DGT1A0E20	DGP1BB420	M31AP20051	M3001S010	M3001S020	DGP01S010	M20050230
	160	DGT2A0M10	DGT2A0M00	P0M2B32KA0	DGT2A0E10	DGT250350	DGT11S060	DGT21S050	DGT2A0E20	DGP0BB310	M21AP20051	M2001S010	M2001S020	DGP01S010	M20050230
		P0M2B31KA0		DGT2A0E10	DGT250350	DGT11S060	DGT21S050	DGT2A0E20	DGP0BB310	M21AP21050	M2001S010	M2001S020	DGP01S010	M20050230	
		DGT2A0M30		P1M3B32KA0	DGT2A0E10	DGT250360	DGT11S060	DGT21S050	DGT2A0E20	DGP1BB320	M31AP20051	M3001S010	M3001S020	DGP01S010	M20050230
	200	DGT3A0M10	DGT3A0M00	P1M2B22KA0	DGT3A0E10	DGT350350	DGT31S060	DGT31S050	DGT3A0E20	DGP1BB210	M21AP20051	M2001S010	M2001S020	DGP01S010	M20050230
				P1M2B21KA0	DGT3A0E10	DGT350350	DGT31S060	DGT31S050	DGT3A0E20	DGP1BB210	M21AP21050	M2001S010	M2001S020	DGP01S010	M20050230
				P1M3B22KA0	DGT3A0E10	DGT350350	DGT31S060	DGT31S050	DGT3A0E20	DGP1BB220	M31AP20051	M3001S010	M3001S020	DGP01S010	M20050230
				P1M3B21KA0	DGT3A0E10	DGT350350	DGT31S060	DGT31S050	DGT3A0E20	DGP1BB220	M31AP21050	M3001S010	M3001S020	DGP01S010	M20050230
	250	DGT4A0M12	DGT4A0M00	P1M2B12KA0	DGT4A0E12	DGT450352	DGT41S060	DGT31S050	DGT4A0E20	DGP1BB110	M21AP20051	M2001S010	M2001S020	DGP01S010	M20050230
				P1M2B11KA0	DGT4A0E12	DGT450352	DGT41S060	DGT31S050	DGT4A0E20	DGP1BB110	M21AP21050	M2001S010	M2001S020	DGP01S010	M20050230
				P1M3B12KA0	DGT4A0E12	DGT450352	DGT41S060	DGT31S050	DGT4A0E20	DGP1BB120	M31AP20051	M3001S010	M3001S020	DGP01S010	M20050230
		DGT4A0M32		P2M5B32KA0	DGT4A0E12	DGT550351	DGT41S060	DGT31S050	DGT4A0E20	DGP2BB321	M51AP20051	M5001S010	M5001S020	DGP21S010	DRH110410
	315	DGT5A0M12 DX DGT5A0M22 SX	DGT5A0M00	P2M3B22KA0	DGT5A0E12	DGT650351	---	DGT51S050	DGT5A0E20	DGP2BB211	M31AP20051	M3001S010	M3001S020	DGP21S010	M20050230
				P2M3B21KA0	DGT5A0E12	DGT650351	---	DGT51S050	DGT5A0E20	DGP2BB211	M31AP21050	M3001S010	M3001S020	DGP21S010	M20050230
				P2M5B22KA0	DGT5A0E12	DGT650351	---	DGT51S050	DGT5A0E20	DGP2BB221	M51AP20051	M5001S010	M5001S020	DGP21S010	DRH110410
	400	DGT6A0M12 DX DGT6A0M22 SX	DGT6A0M00	P2M3B12KA0	DGT6A0E12	DGT650352	---	DGT61S050	DGT6A0E20	DGP2BB111	M31AP20051	M3001S010	M3001S020	DGP21S010	M20050230
				P2M3B11KA0	DGT6A0E12	DGT650352	---	DGT61S050	DGT6A0E20	DGP2BB111	M31AP21050	M3001S010	M3001S020	DGP21S010	M20050230
				P2M5B12KA0	DGT6A0E12	DGT650352	---	DGT61S050	DGT6A0E20	DGP2BB121	M51AP20051	M5001S010	M5001S020	DGP21S010	DRH110410
	400 R	DGT6A0M62 DX DGT6A0M72 SX	DGT6A0M50	P2M5B12KA0	DGT6A0E32	DGT650352	---	DGT61S050	DGT6A0E40	DGP2BB121	M51AP20051	M5001S010	M5001S020	DGP21S010	DRH110410
				P2M5B11KA0	DGT6A0E32	DGT650352	---	DGT61S050	DGT6A0E40	DGP2BB121	M51AP21050	M5001S010	M5001S020	DGP21S010	DRH110410

velocità	ruota	motrice	folle	motoriduttore	set ruota motrice	albero collegamento	set braccio reazione	set tamponi	set ruota folle	riduttore	motore	set coperchio motore	set ceppo freno	set tampone reazione	set giunto
speed	wheel	drive	idle wheel	motoreducer	drive wheel set	drive shaft	reaction arm set	buffer set	idle wheel set	reducer	motor	motor cover set	brake shoe set	reaction buffer set	coupling set
vitesse	galet	groupe galet	galet fou	motoreductor	set galet moteur	arbre de transmission	set support reducteur	set butee	set galet fou	reducteur	moteur	set couvercle moteur	set sabot de frein	set butee reducteur	joint set
	DGT	DGT		DGP											
		Pos.1	Pos.2	Pos.3	Pos.1a	Pos.1b	Pos.1c	Pos.1d	Pos.2a	Pos.3a	Pos.3b	Pos.3b1	Pos.3b2	Pos.3c	Pos.3d
m/min	ø mm	Codice/ Code	Codice/ Code	Codice/ Code	Codice/ Code	Codice/ Code	Codice/ Code	Codice/ Code	Codice/ Code	Codice/ Code	Codice/ Code	Codice/ Code	Codice/ Code	Codice/ Code	Codice/ Code
12,5/3,2	125	DGT1A0M10	DGT1A0M00	P0M2B13KA0	DGT1A0E10	DGT150350	DGT11S060	DGT11S050	DGT1A0E20	DGP0BB110	M21AP30051	M2001S010	M2001S020	DGP01S010	M20050230
				P0M2B11KA0	DGT1A0E10	DGT150350	DGT11S060	DGT11S050	DGT1A0E20	DGP0BB110	M21AP21050	M2001S010	M2001S020	DGP01S010	M20050230
	200	DGT3A0M30	DGT3A0M00	P2M3B13AA0	DGT3A0E10	DGT350361	DGT31S060	DGT31S050	DGT3A0E20	DGP2BB111	M31AP30050	M3001S010	M3001S020	DGP21S010	M20050230
16/4	125	DGT1A0M10	DGT1A0M00	P0M2B23KA0	DGT1A0E10	DGT150350	DGT11S060	DGT11S050	DGT1A0E20	DGP0BB210	M21AP30051	M2001S010	M2001S020	DGP01S010	M20050230
				P0M2B21KA0	DGT1A0E10	DGT150350	DGT11S060	DGT11S050	DGT1A0E20	DGP0BB210	M21AP21050	M2001S010	M2001S020	DGP01S010	M20050230
	160	DGT2A0M10	DGT2A0M00	P0M2B13KA0	DGT2A0E10	DGT250350	DGT11S060	DGT21S050	DGT2A0E20	DGP0BB110	M21AP30051	M2001S010	M2001S020	DGP01S010	M20050230
				P1M2B13KA0	DGT2A0E10	DGT250360	DGT11S060	DGT21S050	DGT2A0E20	DGP1BB110	M21AP30051	M2001S010	M2001S020	DGP01S010	M20050230
	200	DGT3A0M30	DGT3A0M00	P2M3B23AA0	DGT3A0E10	DGT350361	DGT31S060	DGT31S050	DGT3A0E20	DGP2BB211	M31AP30050	M3001S010	M3001S020	DGP21S010	M20050230
				P2M3B13AA0	DGT4A0E12	DGT550351	DGT41S060	DGT31S050	DGT4A0E20	DGP2BB111	M31AP30050	M3001S010	M3001S020	DGP21S010	M20050230
250	DGT4A0M32	DGT4A0M00	P2M3B13KA0	DGT4A0E12	DGT550351	DGT41S060	DGT31S050	DGT4A0E20	DGP2BB111	M31AP30051	M3001S010	M3001S020	DGP21S010	M20050230	
20/5	125	DGT1A0M10	DGT1A0M00	P0M2B33KA0	DGT1A0E10	DGT150350	DGT11S060	DGT11S050	DGT1A0E20	DGP0BB310	M21AP30051	M2001S010	M2001S020	DGP01S010	M20050230
				P0M2B31KA0	DGT1A0E10	DGT150350	DGT11S060	DGT11S050	DGT1A0E20	DGP0BB310	M21AP21050	M2001S010	M2001S020	DGP01S010	M20050230
	160	DGT2A0M10	DGT2A0M00	P0M2B23KA0	DGT2A0E10	DGT250350	DGT11S060	DGT21S050	DGT2A0E20	DGP0BB210	M21AP30051	M2001S010	M2001S020	DGP01S010	M20050230
				P1M2B21KA0	DGT2A0E10	DGT250360	DGT11S060	DGT21S050	DGT2A0E20	DGP1BB210	M21AP21050	M2001S010	M2001S020	DGP01S010	M20050230
	200	DGT3A0M10	DGT3A0M00	P1M2B13KA0	DGT3A0E10	DGT350350	DGT31S060	DGT31S050	DGT3A0E20	DGP1BB110	M21AP30051	M2001S010	M2001S020	DGP01S010	M20050230
				P1M2B11KA0	DGT3A0E10	DGT350350	DGT31S060	DGT31S050	DGT3A0E20	DGP1BB110	M21AP21050	M2001S010	M2001S020	DGP01S010	M20050230
				P1M3B13AA0	DGT3A0E10	DGT350350	DGT31S060	DGT31S050	DGT3A0E20	DGP1BB120	M31AP30050	M3001S010	M3001S020	DGP01S010	M20050230
	250	DGT4A0M32	DGT4A0M00	P2M3B23AA0	DGT4A0E12	DGT550351	DGT41S060	DGT31S050	DGT4A0E20	DGP2BB211	M31AP30050	M3001S010	M3001S020	DGP21S010	M20050230
				P2M3B23KA0	DGT4A0E12	DGT550351	DGT41S060	DGT31S050	DGT4A0E20	DGP2BB211	M31AP30051	M3001S010	M3001S020	DGP21S010	M20050230
				P2M3B21KA0	DGT4A0E12	DGT550351	DGT41S060	DGT31S050	DGT4A0E20	DGP2BB211	M31AP21050	M3001S010	M3001S020	DGP21S010	M20050230
	315	DGT5A0M12 DX DGT5A0M22 SX	DGT5A0M00	P2M3B13AA0	DGT5A0E12	DGT650351	---	DGT51S050	DGT5A0E20	DGP2BB111	M31AP30050	M3001S010	M3001S020	DGP21S010	M20050230
				P2M3B13KA0	DGT5A0E12	DGT650351	---	DGT51S050	DGT5A0E20	DGP2BB111	M31AP30051	M3001S010	M3001S020	DGP21S010	M20050230
				P2M3B11KA0	DGT5A0E12	DGT650351	---	DGT51S050	DGT5A0E20	DGP2BB111	M31AP21050	M3001S010	M3001S020	DGP21S010	M20050230
				P2M5B13AA0	DGT5A0E12	DGT650351	---	DGT51S050	DGT5A0E20	DGP2BB121	M51AP30050	M5001S010	M5001S020	DGP21S010	DRH110410
25/6,3	125	DGT1A0M10	DGT1A0M00	P0M2B43KA0	DGT1A0E10	DGT150350	DGT11S060	DGT11S050	DGT1A0E20	DGP0BB410	M21AP30051	M2001S010	M2001S020	DGP01S010	M20050230
				P0M2B41KA0	DGT1A0E10	DGT150350	DGT11S060	DGT11S050	DGT1A0E20	DGP0BB410	M21AP21050	M2001S010	M2001S020	DGP01S010	M20050230
				P1M3B43AA0	DGT1A0E10	DGT150360	DGT11S060	DGT11S050	DGT1A0E20	DGP1BB420	M31AP30050	M3001S010	M3001S020	DGP01S010	M20050230
	160	DGT2A0M10	DGT2A0M00	P0M2B33KA0	DGT2A0E10	DGT250350	DGT11S060	DGT21S050	DGT2A0E20	DGP0BB310	M21AP30051	M2001S010	M2001S020	DGP01S010	M20050230
				P0M2B31KA0	DGT2A0E10	DGT250350	DGT11S060	DGT21S050	DGT2A0E10	DGP0BB310	M21AP21050	M2001S010	M2001S020	DGP01S010	M20050230
				P1M3B33AA0	DGT2A0E10	DGT250360	DGT11S060	DGT21S050	DGT2A0E20	DGP1BB320	M31AP30050	M3001S010	M3001S020	DGP01S010	M20050230

velocità	ruota	motrice	folle	motoriduttore	set ruota motrice	albero collegamento	set braccio reazione	set tamponi	set ruota folle	riduttore	motore	set coperchio motore	set ceppo freno	set tampone reazione	set giunto	
speed	wheel	drive	idle wheel	motoreducer	drive wheel set	drive shaft	reaction arm set	buffer set	idle wheel set	reducer	motor	motor cover set	brake shoe set	reaction buffer set	coupling set	
vitesse	galet	groupe galet	galet fou	motoreductor	set galet moteur	arbre de transmission	set support reducteur	set butee	set galet fou	reducteur	moteur	set couvercle moteur	set sabot de frein	set butee reducteur	joint set	
	DGT	DGT		DGP												
		Pos.1	Pos.2	Pos.3	Pos.1a	Pos.1b	Pos.1c	Pos.1d	Pos.2a	Pos.3a	Pos.3b	Pos.3b1	Pos.3b2	Pos.3c	Pos.3d	
m/min	ø mm	Codice/ Code	Codice/ Code	Codice/ Code	Codice/ Code	Codice/ Code	Codice/ Code	Codice/ Code	Codice/ Code	Codice/ Code	Codice/ Code	Codice/ Code	Codice/ Code	Codice/ Code	Codice/ Code	
25/6,3	200	DGT3A0M10	DGT3A0M00	P1M2B23KA0	DGT3A0E10	DGT350350	DGT31S060	DGT31S050	DGT3A0E20	DGP1BB210	M21AP30051	M2001S010	M2001S020	DGP01S010	M20050230	
				P1M2B2IKA0	DGT3A0E10	DGT350350	DGT31S060	DGT31S050	DGT3A0E20	DGP1BB210	M21AP2I050	M2001S010	M2001S020	DGP01S010	M20050230	
				P1M3B23AA0	DGT3A0E10	DGT350350	DGT31S060	DGT31S050	DGT3A0E20	DGP1BB220	M31AP30050	M3001S010	M3001S020	DGP01S010	M20050230	
				P1M3B23KA0	DGT3A0E10	DGT350350	DGT31S060	DGT31S050	DGT3A0E20	DGP1BB220	M31AP30051	M3001S010	M3001S020	DGP01S010	M20050230	
				P1M3B2IKA0	DGT3A0E10	DGT350350	DGT31S060	DGT31S050	DGT3A0E20	DGP1BB220	M31AP2I050	M3001S010	M3001S020	DGP01S010	M20050230	
	250	DGT4A0M12	DGT4A0M00	P1M2B13KA0	DGT4A0E12	DGT450352	DGT41S060	DGT31S050	DGT4A0E20	DGP1BB110	M21AP30051	M2001S010	M2001S020	DGP01S010	M20050230	
				P1M2B1IKA0	DGT4A0E12	DGT450352	DGT41S060	DGT31S050	DGT4A0E20	DGP1BB110	M21AP2I050	M2001S010	M2001S020	DGP01S010	M20050230	
				P1M3B13AA0	DGT4A0E12	DGT450352	DGT41S060	DGT31S050	DGT4A0E20	DGP1BB120	M31AP30050	M3001S010	M3001S020	DGP01S010	M20050230	
				P1M3B13KA0	DGT4A0E12	DGT450352	DGT41S060	DGT31S050	DGT4A0E20	DGP1BB120	M31AP30051	M3001S010	M3001S020	DGP01S010	M20050230	
				P2M5B33AA0	DGT4A0E12	DGT550351	DGT41S060	DGT31S050	DGT4A0E20	DGP2BB321	M51AP30050	M5001S010	M5001S020	DGP21S010	DRH110410	
	315	DGT5A0M12 DX DGT5A0M22 SX	DGT5A0M00	P2M3B23AA0	DGT5A0E12	DGT650351	---	DGT51S050	DGT5A0E20	DGP2BB211	M31AP30050	M3001S010	M3001S020	DGP21S010	M20050230	
				P2M3B23KA0	DGT5A0E12	DGT650351	---	DGT51S050	DGT5A0E20	DGP2BB211	M31AP30051	M3001S010	M3001S020	DGP21S010	M20050230	
				P2M3B2IKA0	DGT5A0E12	DGT650351	---	DGT51S050	DGT5A0E20	DGP2BB211	M31AP2I050	M3001S010	M3001S020	DGP21S010	M20050230	
				P2M5B23AA0	DGT5A0E12	DGT650351	---	DGT51S050	DGT5A0E20	DGP2BB221	M51AP30050	M5001S010	M5001S020	DGP21S010	DRH110410	
				P2M3B13KA0	DGT6A0E12	DGT650352	---	DGT61S050	DGT6A0E20	DGP2BB111	M31AP30051	M3001S010	M3001S020	DGP21S010	M20050230	
	400	DGT6A0M12 DX DGT6A0M22 SX	DGT6A0M00	P2M3B1IKA0	DGT6A0E12	DGT650352	---	DGT61S050	DGT6A0E20	DGP2BB111	M31AP2I050	M3001S010	M3001S020	DGP21S010	M20050230	
				P2M5B13AA0	DGT6A0E12	DGT650352	---	DGT61S050	DGT6A0E20	DGP2BB121	M51AP30050	M5001S010	M5001S020	DGP21S010	DRH110410	
				P2M5B13KA0	DGT6A0E12	DGT650352	---	DGT61S050	DGT6A0E20	DGP2BB121	M51AP30051	M5001S010	M5001S020	DGP21S010	DRH110410	
	400 R	DGT6A0M62 DX DGT6A0M72 SX	DGT6A0M50	P2M5B13AA0	DGT6A0E32	DGT650352	---	DGT61S050	DGT6A0E40	DGP2BB121	M51AP30050	M5001S010	M5001S020	DGP21S010	DRH110410	
				P2M5B13KA0	DGT6A0E32	DGT650352	---	DGT61S050	DGT6A0E40	DGP2BB121	M51AP30051	M5001S010	M5001S020	DGP21S010	DRH110410	
				P2M5B1IKA0	DGT6A0E32	DGT650352	---	DGT61S050	DGT6A0E40	DGP2BB121	M51AP2I050	M5001S010	M5001S020	DGP21S010	DRH110410	
	32/8	125	DGT1A0M10	DGT1A0M00	P0M2A13KA0	DGT1A0E10	DGT150350	DGT11S060	DGT11S050	DGT1A0E20	DGP0BA110	M21AP30051	M2001S010	M2001S020	DGP01S010	M20050230
			P1M2A1IKA0		DGT1A0E10	DGT150360	DGT11S060	DGT11S050	DGT1A0E20	DGP1BA110	M21AP2I050	M2001S010	M2001S020	DGP01S010	M20050230	
			P1M3A13AA0		DGT1A0E10	DGT150360	DGT11S060	DGT11S050	DGT1A0E20	DGP1BA120	M31AP30050	M3001S010	M3001S020	DGP01S010	M20050230	
P1M3A13KA0			DGT1A0E10		DGT150360	DGT11S060	DGT11S050	DGT1A0E20	DGP1BA120	M31AP30051	M3001S010	M3001S020	DGP01S010	M20050230		
P1M3A1IKA0			DGT1A0E10		DGT150360	DGT11S060	DGT11S050	DGT1A0E20	DGP1BA120	M31AP2I050	M3001S010	M3001S020	DGP01S010	M20050230		
160		DGT2A0M10	DGT2A0M00	P0M2B43KA0	DGT2A0E10	DGT250350	DGT11S060	DGT21S050	DGT2A0E20	DGP0BB410	M21AP30051	M2001S010	M2001S020	DGP01S010	M20050230	
		P0M2B4IKA0		DGT2A0E10	DGT250350	DGT11S060	DGT21S050	DGT2A0E20	DGP0BB410	M21AP2I050	M2001S010	M2001S020	DGP01S010	M20050230		
		P1M3B43AA0		DGT2A0E10	DGT250360	DGT11S060	DGT21S050	DGT2A0E20	DGP1BB420	M31AP30050	M3001S010	M3001S020	DGP01S010	M20050230		
		P1M3B43KA0		DGT2A0E10	DGT250360	DGT11S060	DGT21S050	DGT2A0E20	DGP1BB420	M31AP30051	M3001S010	M3001S020	DGP01S010	M20050230		
		P1M3B4IKA0		DGT2A0E10	DGT250360	DGT11S060	DGT21S050	DGT2A0E20	DGP1BB420	M31AP2I050	M3001S010	M3001S020	DGP01S010	M20050230		
200		DGT3A0M10	DGT3A0M00	P1M2B33KA0	DGT3A0E10	DGT350350	DGT31S060	DGT31S050	DGT3A0E20	DGP1BB310	M21AP30051	M2001S010	M2001S020	DGP01S010	M20050230	
				P1M2B3IKA0	DGT3A0E10	DGT350350	DGT31S060	DGT31S050	DGT3A0E20	DGP1BB310	M21AP2I050	M2001S010	M2001S020	DGP01S010	M20050230	
				P1M3B33AA0	DGT3A0E10	DGT350350	DGT31S060	DGT31S050	DGT3A0E20	DGP1BB320	M31AP30050	M3001S010	M3001S020	DGP01S010	M20050230	
				P1M3B33KA0	DGT3A0E10	DGT350350	DGT31S060	DGT31S050	DGT3A0E20	DGP1BB320	M31AP30051	M3001S010	M3001S020	DGP01S010	M20050230	
				P1M3B3IKA0	DGT3A0E10	DGT350350	DGT31S060	DGT31S050	DGT3A0E20	DGP1BB320	M31AP2I050	M3001S010	M3001S020	DGP01S010	M20050230	
				P2M5A13AA0	DGT3A0E10	DGT350361	DGT31S060	DGT31S050	DGT3A0E20	DGP2BA121	M51AP30050	M5001S010	M5001S020	DGP21S010	DRH110410	

velocità	ruota	motrice	folle	motoriduttore	set ruota motrice	albero collegamento	set braccio reazione	set tamponi	set ruota folle	riduttore	motore	set coperchio motore	set ceppo freno	set tampone reazione	set giunto	
speed	wheel	drive	idle wheel	motoreducer	drive wheel set	drive shaft	reaction arm set	buffer set	idle wheel set	reducer	motor	motor cover set	brake shoe set	reaction buffer set	coupling set	
vitesse	galet	groupe galet	galet fou	motoreductor	set galet moteur	arbre de transmission	set support reducteur	set butee	set galet fou	reducteur	moteur	set couvercle moteur	set sabot de frein	set butee reducteur	joint set	
	DGT	DGT		DGP												
		Pos.1	Pos.2	Pos.3	Pos.1a	Pos.1b	Pos.1c	Pos.1d	Pos.2a	Pos.3a	Pos.3b	Pos.3b1	Pos.3b2	Pos.3c	Pos.3d	
m/min	ø mm	Codice/ Code	Codice/ Code	Codice/ Code	Codice/ Code	Codice/ Code	Codice/ Code	Codice/ Code	Codice/ Code	Codice/ Code	Codice/ Code	Codice/ Code	Codice/ Code	Codice/ Code	Codice/ Code	
32/8	250	DGT4A0M12	DGT4A0M00	P1M2B2IKA0	DGT4A0E12	DGT450352	DGT41S060	DGT31S050	DGT4A0E20	DGP1BB220	M21AP2I050	M2001S010	M2001S020	DGP01S010	M20050230	
				P1M3B23AA0	DGT4A0E12	DGT450352	DGT41S060	DGT31S050	DGT4A0E20	DGP1BB220	M31AP30050	M3001S010	M3001S020	DGP01S010	M20050230	
				P1M3B23KA0	DGT4A0E12	DGT450352	DGT41S060	DGT31S050	DGT4A0E20	DGP1BB220	M31AP30051	M3001S010	M3001S020	DGP01S010	M20050230	
				P1M3B21KA0	DGT4A0E12	DGT450352	DGT41S060	DGT31S050	DGT4A0E20	DGP1BB220	M31AP2I050	M3001S010	M3001S020	DGP01S010	M20050230	
				P2M5B43AA0	DGT4A0E12	DGT550351	DGT41S060	DGT31S050	DGT4A0E20	DGP2BB421	M51AP30050	M5001S010	M5001S020	DGP21S010	DRH110410	
	315	DGT5A0M12 DX DGT5A0M22 SX	DGT5A0M00	P2M3B33KA0	DGT5A0E12	DGT650351	---	DGT51S050	DGT5A0E20	DGP2BB311	M31AP30051	M3001S010	M3001S020	DGP21S010	M20050230	
				P2M3B31KA0	DGT5A0E12	DGT650351	---	DGT51S050	DGT5A0E20	DGP2BB311	M31AP2I050	M3001S010	M3001S020	DGP21S010	M20050230	
				P2M5B33AA0	DGT5A0E12	DGT650351	---	DGT51S050	DGT5A0E20	DGP2BB321	M51AP30050	M5001S010	M5001S020	DGP21S010	DRH110410	
				P2M5B33KA0	DGT5A0E12	DGT650351	---	DGT51S050	DGT5A0E20	DGP2BB321	M51AP30051	M5001S010	M5001S020	DGP21S010	DRH110410	
				P2M3B21KA0	DGT6A0E12	DGT650352	---	DGT61S050	DGT6A0E20	DGP2BB211	M31AP2I050	M3001S010	M3001S020	DGP21S010	M20050230	
	400	DGT6A0M12 DX DGT6A0M22 SX	DGT6A0M00	P2M5B23AA0	DGT6A0E12	DGT650352	---	DGT61S050	DGT6A0E20	DGP2BB221	M51AP30050	M5001S010	M5001S020	DGP21S010	DRH110410	
				P2M5B23KA0	DGT6A0E12	DGT650352	---	DGT61S050	DGT6A0E20	DGP2BB221	M51AP30051	M5001S010	M5001S020	DGP21S010	DRH110410	
				P2M5B23AA0	DGT6A0E12	DGT650352	---	DGT61S050	DGT6A0E40	DGP2BB221	M51AP30050	M5001S010	M5001S020	DGP21S010	DRH110410	
	400 R	DGT6A0M62 DX DGT6A0M72 SX	DGT6A0M50	P2M5B23KA0	DGT6A0E32	DGT650352	---	DGT61S050	DGT6A0E40	DGP2BB221	M51AP30051	M5001S010	M5001S020	DGP21S010	DRH110410	
				P2M5B23KA0	DGT6A0E32	DGT650352	---	DGT61S050	DGT6A0E40	DGP2BB221	M51AP30051	M5001S010	M5001S020	DGP21S010	DRH110410	
				P2M5B21KA0	DGT6A0E32	DGT650352	---	DGT61S050	DGT6A0E40	DGP2BB221	M51AP2I050	M5001S010	M5001S020	DGP21S010	DRH110410	
	40/10	125	DGT1A0M10	DGT1A0M00	P0M2A23KA0	DGT1A0E10	DGT150350	DGT11S060	DGT11S050	DGT1A0E20	DGP0BA210	M21AP30051	M2001S010	M2001S020	DGP01S010	M20050230
					P0M2A21KA0	DGT1A0E10	DGT150360	DGT11S060	DGT11S050	DGT1A0E20	DGP0BA210	M21AP2I050	M2001S010	M2001S020	DGP01S010	M20050230
					P1M3A23AA0	DGT1A0E10	DGT150360	DGT11S060	DGT11S050	DGT1A0E20	DGP1BA220	M31AP30050	M3001S010	M3001S020	DGP01S010	M20050230
					P1M3A23KA0	DGT1A0E10	DGT150360	DGT11S060	DGT11S050	DGT1A0E20	DGP1BA220	M31AP30051	M3001S010	M3001S020	DGP01S010	M20050230
P1M3A21KA0					DGT1A0E10	DGT150360	DGT11S060	DGT11S050	DGT1A0E20	DGP1BA220	M31AP2I050	M3001S010	M3001S020	DGP01S010	M20050230	
160		DGT2A0M10	DGT2A0M00	P0M2A13KA0	DGT2A0E10	DGT250350	DGT11S060	DGT21S050	DGT2A0E20	DGP0BA110	M21AP30051	M2001S010	M2001S020	DGP01S010	M20050230	
				P1M2A11KA0	DGT2A0E10	DGT250360	DGT11S060	DGT21S050	DGT2A0E20	DGP1BA110	M21AP2I050	M2001S010	M2001S020	DGP01S010	M20050230	
				P1M3A13AA0	DGT2A0E10	DGT250360	DGT11S060	DGT21S050	DGT2A0E20	DGP1BA120	M31AP30050	M3001S010	M3001S020	DGP01S010	M20050230	
				P1M3A13KA0	DGT2A0E10	DGT250360	DGT11S060	DGT21S050	DGT2A0E20	DGP1BA120	M31AP30051	M3001S010	M3001S020	DGP01S010	M20050230	
				P1M3A11KA0	DGT2A0E10	DGT250360	DGT11S060	DGT21S050	DGT2A0E20	DGP1BA120	M31AP2I050	M3001S010	M3001S020	DGP01S010	M20050230	
200		DGT3A0M10	DGT3A0M00	P1M2B41KA0	DGT3A0E10	DGT350350	DGT31S060	DGT31S050	DGT3A0E20	DGP1BB410	M21AP2I050	M2001S010	M2001S020	DGP01S010	M20050230	
				P1M3B43AA0	DGT3A0E10	DGT350350	DGT31S060	DGT31S050	DGT3A0E20	DGP1BB420	M31AP30050	M3001S010	M3001S020	DGP01S010	M20050230	
				P1M3B43KA0	DGT3A0E10	DGT350350	DGT31S060	DGT31S050	DGT3A0E20	DGP1BB420	M31AP30051	M3001S010	M3001S020	DGP01S010	M20050230	
				P1M3B41KA0	DGT3A0E10	DGT350350	DGT31S060	DGT31S050	DGT3A0E20	DGP1BB420	M31AP2I050	M3001S010	M3001S020	DGP01S010	M20050230	
				P2M5A23AA0	DGT3A0E10	DGT350361	DGT31S060	DGT31S050	DGT3A0E20	DGP2BA221	M51AP30050	M5001S010	M5001S020	DGP21S010	DRH110410	
250		DGT4A0M12	DGT4A0M00	P1M3B33KA0	DGT4A0E12	DGT450352	DGT41S060	DGT31S050	DGT4A0E20	DGP1BB320	M31AP30051	M3001S010	M3001S020	DGP01S010	M20050230	
				P1M3B31KA0	DGT4A0E12	DGT450352	DGT41S060	DGT31S050	DGT4A0E20	DGP1BB320	M31AP2I050	M3001S010	M3001S020	DGP01S010	M20050230	
				P2M5A13AA0	DGT4A0E12	DGT550351	DGT41S060	DGT31S050	DGT4A0E20	DGP2BA121	M51AP30050	M5001S010	M5001S020	DGP21S010	DRH110410	
				P2M5A13KA0	DGT4A0E12	DGT550351	DGT41S060	DGT31S050	DGT4A0E20	DGP2BA121	M51AP30051	M5001S010	M5001S020	DGP21S010	DRH110410	
				P2M5A13KA0	DGT4A0E12	DGT550351	DGT41S060	DGT31S050	DGT4A0E20	DGP2BA121	M51AP30051	M5001S010	M5001S020	DGP21S010	DRH110410	

velocità	ruota	motrice	folle	motoriduttore	set ruota motrice	albero collegamento	set braccio reazione	set tamponi	set ruota folle	riduttore	motore	set coperchio motore	set ceppo freno	set tampone reazione	set giunto
speed	wheel	drive	idle wheel	motoreducer	drive wheel set	drive shaft	reaction arm set	buffer set	idle wheel set	reducer	motor	motor cover set	brake shoe set	reaction buffer set	coupling set
vitesse	galet	groupe galet	galet fou	motoreductor	set galet moteur	arbre de transmission	set support reducteur	set butee	set galet fou	reducteur	moteur	set couvercle moteur	set sabot de frein	set butee reducteur	joint set
	DGT	DGT		DGP											
		Pos.1	Pos.2	Pos.3	Pos.1a	Pos.1b	Pos.1c	Pos.1d	Pos.2a	Pos.3a	Pos.3b	Pos.3b1	Pos.3b2	Pos.3c	Pos.3d
m/min	ø mm	Codice/ Code	Codice/ Code	Codice/ Code	Codice/ Code	Codice/ Code	Codice/ Code	Codice/ Code	Codice/ Code	Codice/ Code	Codice/ Code	Codice/ Code	Codice/ Code	Codice/ Code	Codice/ Code
40/10	315	DGT5A0M12 DX DGT5A0M22 SX	DGT5A0M00	P2M3B43KA0	DGT5A0E12	DGT650351	---	DGT51S050	DGT5A0E20	DGP2BB411	M31AP30051	M3001S010	M3001S020	DGP21S010	M20050230
				P2M3B44KA0	DGT5A0E12	DGT650351	---	DGT51S050	DGT5A0E20	DGP2BB411	M31AP21050	M3001S010	M3001S020	DGP21S010	M20050230
				P2M5B43AA0	DGT5A0E12	DGT650351	---	DGT51S050	DGT5A0E20	DGP2BB421	M51AP30050	M5001S010	M5001S020	DGP21S010	DRH110410
				P2M5B43KA0	DGT5A0E12	DGT650351	---	DGT51S050	DGT5A0E20	DGP2BB421	M51AP30051	M5001S010	M5001S020	DGP21S010	DRH110410
				P2M5B44KA0	DGT5A0E12	DGT650351	---	DGT51S050	DGT5A0E20	DGP2BB421	M51AP21050	M5001S010	M5001S020	DGP21S010	DRH110410
	400	DGT6A0M12 DX DGT6A0M22 SX	DGT6A0M00	P2M3B33KA0	DGT6A0E12	DGT650352	---	DGT61S050	DGT6A0E20	DGP2BB311	M31AP30051	M3001S010	M3001S020	DGP21S010	M20050230
				P2M3B31KA0	DGT6A0E12	DGT650352	---	DGT61S050	DGT6A0E20	DGP2BB311	M31AP21050	M3001S010	M3001S020	DGP21S010	M20050230
				P2M5B33AA0	DGT6A0E12	DGT650352	---	DGT61S050	DGT6A0E20	DGP2BB321	M51AP30050	M5001S010	M5001S020	DGP21S010	DRH110410
				P2M5B33KA0	DGT6A0E12	DGT650352	---	DGT61S050	DGT6A0E20	DGP2BB321	M51AP30051	M5001S010	M5001S020	DGP21S010	DRH110410
				P2M5B31KA0	DGT6A0E12	DGT650352	---	DGT61S050	DGT6A0E20	DGP2BB321	M51AP21050	M5001S010	M5001S020	DGP21S010	DRH110410
	400 R	DGT6A0M62 DX DGT6A0M72 SX DGT6A0M82 DX DGT6A0M92 SX	DGT6A0M50	P3M6B13KA0	DGT6A0E12	DGT650362	---	DGT61S050	DGT6A0E20	DGP3BB111	M61AP30050	DRH11S010	DRH11S020	DGP31S010	DRH110410
				P2M5B33KA0	DGT6A0E32	DGT650352	---	DGT61S050	DGT6A0E40	DGP2BB321	M51AP30051	M5001S010	M5001S020	DGP21S010	DRH110410
				P2M5B31KA0	DGT6A0E32	DGT650352	---	DGT61S050	DGT6A0E40	DGP2BB321	M51AP21050	M5001S010	M5001S020	DGP21S010	DRH110410
				P3M6B13KA0	DGT6A0E32	DGT650362	---	DGT61S050	DGT6A0E40	DGP3BB111	M61AP30050	DRH11S010	DRH11S020	DGP31S010	DRH110410
				P3M6B11KA0	DGT6A0E32	DGT650362	---	DGT61S050	DGT6A0E40	DGP3BB111	M61AP21050	DRH11S010	DRH11S020	DGP31S010	DRH110410
	50/12,5	125	DGT1A0M10 DGT1A0M30	DGT1A0M00	P0M2A33KA0	DGT1A0E10	DGT150350	DGT11S060	DGT11S050	DGT1A0E20	DGP0BA310	M21AP30051	M2001S010	M2001S020	DGP01S010
P0M2A31KA0					DGT1A0E10	DGT150360	DGT11S060	DGT11S050	DGT1A0E20	DGP0BA310	M21AP21050	M2001S010	M2001S020	DGP01S010	M20050230
P1M3A33AA0					DGT1A0E10	DGT150360	DGT11S060	DGT11S050	DGT1A0E20	DGP1BA320	M31AP30050	M3001S010	M3001S020	DGP01S010	M20050230
P1M3A33KA0					DGT1A0E10	DGT150360	DGT11S060	DGT11S050	DGT1A0E20	DGP1BA320	M31AP30051	M3001S010	M3001S020	DGP01S010	M20050230
P1M3A31KA0					DGT1A0E10	DGT150360	DGT11S060	DGT11S050	DGT1A0E20	DGP1BA320	M31AP21050	M3001S010	M3001S020	DGP01S010	M20050230
160		DGT2A0M10 DGT2A0M30	DGT2A0M00	P0M2A21KA0	DGT2A0E10	DGT250350	DGT11S060	DGT21S050	DGT2A0E20	DGP0BA210	M21AP21050	M2001S010	M2001S020	DGP01S010	M20050230
				P1M3A23AA0	DGT2A0E10	DGT250360	DGT11S060	DGT21S050	DGT2A0E20	DGP1BA220	M31AP30050	M3001S010	M3001S020	DGP01S010	M20050230
				P1M3A23KA0	DGT2A0E10	DGT250360	DGT11S060	DGT21S050	DGT2A0E20	DGP1BA220	M31AP30051	M3001S010	M3001S020	DGP01S010	M20050230
				P1M3A21KA0	DGT2A0E10	DGT250360	DGT11S060	DGT21S050	DGT2A0E20	DGP1BA220	M31AP21050	M3001S010	M3001S020	DGP01S010	M20050230
				P1M2A11KA0	DGT3A0E10	DGT350350	DGT31S060	DGT31S050	DGT3A0E20	DGP1BA130	M21AP21050	M2001S010	M2001S020	DGP01S010	M20050230
200		DGT3A0M10 DGT3A0M30	DGT3A0M00	P1M3A13KA0	DGT3A0E10	DGT350350	DGT31S060	DGT31S050	DGT3A0E20	DGP1BA120	M31AP30051	M3001S010	M3001S020	DGP01S010	M20050230
				P1M3A11KA0	DGT3A0E10	DGT350350	DGT31S060	DGT31S050	DGT3A0E20	DGP1BA120	M31AP21050	M3001S010	M3001S020	DGP01S010	M20050230
				P2M5A33AA0	DGT3A0E10	DGT350361	DGT31S060	DGT31S050	DGT3A0E20	DGP2BA321	M51AP30050	M5001S010	M5001S020	DGP21S010	DRH110410
				P2M5A33KA0	DGT3A0E10	DGT350361	DGT31S060	DGT31S050	DGT3A0E20	DGP2BA321	M51AP30051	M5001S010	M5001S020	DGP21S010	DRH110410
				P1M3B43KA0	DGT4A0E12	DGT450352	DGT41S060	DGT31S050	DGT4A0E20	DGP1BB420	M31AP30051	M3001S010	M3001S020	DGP01S010	M20050230
250		DGT4A0M12 DGT4A0M32	DGT4A0M00	P1M3B41KA0	DGT4A0E12	DGT450352	DGT41S060	DGT31S050	DGT4A0E20	DGP1BB420	M31AP21050	M3001S010	M3001S020	DGP01S010	M20050230
				P2M5A23AA0	DGT4A0E12	DGT550351	DGT41S060	DGT31S050	DGT4A0E20	DGP2BA221	M51AP30050	M5001S010	M5001S020	DGP21S010	DRH110410
				P2M5A23KA0	DGT4A0E12	DGT550351	DGT41S060	DGT31S050	DGT4A0E20	DGP2BA221	M51AP30051	M5001S010	M5001S020	DGP21S010	DRH110410
				P2M5A21KA0	DGT4A0E12	DGT550351	DGT41S060	DGT31S050	DGT4A0E20	DGP2BA221	M51AP21050	M5001S010	M5001S020	DGP21S010	DRH110410
				P2M5A21KA0	DGT4A0E12	DGT550351	DGT41S060	DGT31S050	DGT4A0E20	DGP2BA221	M51AP21050	M5001S010	M5001S020	DGP21S010	DRH110410

velocità	ruota	motrice	folle	motoriduttore	set ruota motrice	albero collegamento	set braccio reazione	set tamponi	set ruota folle	riduttore	motore	set coperchio motore	set ceppo freno	set tampone reazione	set giunto
speed	wheel	drive	idle wheel	motoreducer	drive wheel set	drive shaft	reaction arm set	buffer set	idle wheel set	reducer	motor	motor cover set	brake shoe set	reaction buffer set	coupling set
vitesse	galet	groupe galet	galet fou	motoreductor	set galet moteur	arbre de transmission	set support reducteur	set butee	set galet fou	reducteur	moteur	set couvercle moteur	set sabot de frein	set butee reducteur	joint set
	DGT	DGT		DGP											
		Pos.1	Pos.2	Pos.3	Pos.1a	Pos.1b	Pos.1c	Pos.1d	Pos.2a	Pos.3a	Pos.3b	Pos.3b1	Pos.3b2	Pos.3c	Pos.3d
m/min	ø mm	Codice/ Code	Codice/ Code	Codice/ Code	Codice/ Code	Codice/ Code	Codice/ Code	Codice/ Code	Codice/ Code	Codice/ Code	Codice/ Code	Codice/ Code	Codice/ Code	Codice/ Code	Codice/ Code
50/12,5	315	DGT5A0M12 DX DGT5A0M22 SX	DGT5A0M00	P2M3A13KA0	DGT5A0E12	DGT650351	---	DGT51S050	DGT5A0E20	DGP2BA111	M31AP30051	M3001S010	M3001S020	DGP21S010	M20050230
				P2M3A11KA0	DGT5A0E12	DGT650351	---	DGT51S050	DGT5A0E20	DGP2BA111	M31AP21050	M3001S010	M3001S020	DGP21S010	M20050230
				P2M5A13AA0	DGT5A0E12	DGT650351	---	DGT51S050	DGT5A0E20	DGP2BA121	M51AP30050	M5001S010	M5001S020	DGP21S010	DRH110410
				P2M5A13KA0	DGT5A0E12	DGT650351	---	DGT51S050	DGT5A0E20	DGP2BA121	M51AP30051	M5001S010	M5001S020	DGP21S010	DRH110410
	400	DGT6A0M12 DX DGT6A0M22 SX	DGT6A0M00	P2M5B43AA0	DGT6A0E12	DGT650352	---	DGT61S050	DGT6A0E20	DGP2BB421	M51AP30050	M5001S010	M5001S020	DGP21S010	DRH110410
				P2M5B43KA0	DGT6A0E12	DGT650352	---	DGT61S050	DGT6A0E20	DGP2BB421	M51AP30051	M5001S010	M5001S020	DGP21S010	DRH110410
				P2M5B41KA0	DGT6A0E12	DGT650352	---	DGT61S050	DGT6A0E20	DGP2BB421	M51AP21050	M5001S010	M5001S020	DGP21S010	DRH110410
				P3M6B23KA0	DGT6A0E12	DGT650362	---	DGT61S050	DGT6A0E20	DGP3BB211	M61AP30050	DRH11S010	DRH11S020	DGP31S010	DRH110410
	400 R	DGT6A0M62 DX DGT6A0M72 SX	DGT6A0M50	P3M6B21KA0	DGT6A0E12	DGT650362	---	DGT61S050	DGT6A0E20	DGP3BB211	M61AP21050	DRH11S010	DRH11S020	DGP31S010	DRH110410
				P2M5B41KA0	DGT6A0E32	DGT650352	---	DGT61S050	DGT6A0E40	DGP2BB421	M51AP21050	M5001S010	M5001S020	DGP21S010	DRH110410
				P3M6B23KA0	DGT6A0E32	DGT650362	---	DGT61S050	DGT6A0E40	DGP3BB211	M61AP30050	DRH11S010	DRH11S020	DGP31S010	DRH110410
				P3M6B21KA0	DGT6A0E32	DGT650362	---	DGT61S050	DGT6A0E40	DGP3BB211	M61AP21050	DRH11S010	DRH11S020	DGP31S010	DRH110410
63/16	125	DGT1A0M10 DGT1A0M30	DGT1A0M00	P0M2A43KA0	DGT1A0E10	DGT150350	DGT11S060	DGT11S050	DGT1A0E20	DGP0BA410	M21AP30051	M2001S010	M2001S020	DGP01S010	M20050230
				P0M2A41KA0	DGT1A0E10	DGT150360	DGT11S060	DGT11S050	DGT1A0E20	DGP0BA410	M21AP21050	M2001S010	M2001S020	DGP01S010	M20050230
				P1M3A43AA0	DGT1A0E10	DGT150360	DGT11S060	DGT11S050	DGT1A0E20	DGP1BA420	M31AP30050	M3001S010	M3001S020	DGP01S010	M20050230
				P1M3A43KA0	DGT1A0E10	DGT150360	DGT11S060	DGT11S050	DGT1A0E20	DGP1BA420	M31AP30051	M3001S010	M3001S020	DGP01S010	M20050230
				P1M3A41KA0	DGT1A0E10	DGT150360	DGT11S060	DGT11S050	DGT1A0E20	DGP1BA420	M31AP21050	M3001S010	M3001S020	DGP01S010	M20050230
	160	DGT2A0M30	DGT2A0M00	P1M3A33KA0	DGT2A0E10	DGT250360	DGT11S060	DGT21S050	DGT2A0E20	DGP1BA320	M31AP30051	M3001S010	M3001S020	DGP01S010	M20050230
				P1M3A31KA0	DGT2A0E10	DGT250360	DGT11S060	DGT21S050	DGT2A0E20	DGP1BA320	M31AP21050	M3001S010	M3001S020	DGP01S010	M20050230
	200	DGT3A0M10 DGT3A0M30	DGT3A0M00	P1M3A23KA0	DGT3A0E10	DGT350350	DGT31S060	DGT31S050	DGT3A0E20	DGP1BA220	M31AP30051	M3001S010	M3001S020	DGP01S010	M20050230
				P1M3A21KA0	DGT3A0E10	DGT350350	DGT31S060	DGT31S050	DGT3A0E20	DGP1BA220	M31AP21050	M3001S010	M3001S020	DGP01S010	M20050230
				P2M5A43AA0	DGT3A0E10	DGT350361	DGT31S060	DGT31S050	DGT3A0E20	DGP2BA421	M51AP30050	M5001S010	M5001S020	DGP21S010	DRH110410
				P2M5A43KA0	DGT3A0E10	DGT350361	DGT31S060	DGT31S050	DGT3A0E20	DGP2BA421	M51AP30051	M5001S010	M5001S020	DGP21S010	DRH110410
	250	DGT4A0M12 DGT4A0M32	DGT4A0M00	P1M3A13KA0	DGT4A0E12	DGT450352	DGT41S060	DGT31S050	DGT4A0E20	DGP1BA121	M31AP30051	M3001S010	M3001S020	DGP01S010	M20050230
P1M3A11KA0				DGT4A0E12	DGT450352	DGT41S060	DGT31S050	DGT4A0E20	DGP1BA120	M31AP21050	M3001S010	M3001S020	DGP01S010	M20050230	
P2M5A33AA0				DGT4A0E12	DGT550351	DGT41S060	DGT31S050	DGT4A0E20	DGP2BA321	M51AP30050	M5001S010	M5001S020	DGP21S010	DRH110410	
P2M5A33KA0				DGT4A0E12	DGT550351	DGT41S060	DGT31S050	DGT4A0E20	DGP2BA321	M51AP30051	M5001S010	M5001S020	DGP21S010	DRH110410	
315	DGT5A0M12 DX DGT5A0M22 SX DGT5A0M32 DX DGT5A0M42 SX	DGT5A0M00	P2M5A23AA0	DGT5A0E12	DGT650351	---	DGT51S050	DGT5A0E20	DGP2BA221	M51AP30050	M5001S010	M5001S020	DGP21S010	DRH110410	
			P2M5A23KA0	DGT5A0E12	DGT650351	---	DGT51S050	DGT5A0E20	DGP2BA221	M51AP30051	M5001S010	M5001S020	DGP21S010	DRH110410	
			P2M5A21KA0	DGT5A0E12	DGT650351	---	DGT51S050	DGT5A0E20	DGP2BA221	M51AP21050	M5001S010	M5001S020	DGP21S010	DRH110410	
			P3M6B43KA0	DGT5A0E12	DGT550362	---	DGT51S050	DGT5A0E20	DGP3BB411	M61AP30050	DRH11S010	DRH11S020	DGP31S010	DRH110410	
			P3M6B41KA0	DGT5A0E12	DGT550362	---	DGT51S050	DGT5A0E20	DGP3BB411	M61AP21050	DRH11S010	DRH11S020	DGP31S010	DRH110410	

velocità	ruota	motrice	folle	motoriduttore	set ruota motrice	albero collegamento	set braccio reazione	set tamponi	set ruota folle	riduttore	motore	set coperchio motore	set ceppo freno	set tampone reazione	set giunto		
speed	wheel	drive	idle wheel	motoreducer	drive wheel set	drive shaft	reaction arm set	buffer set	idle wheel set	reducer	motor	motor cover set	brake shoe set	reaction buffer set	coupling set		
vitesse	galet	groupe galet	galet fou	motoreductor	set galet moteur	arbre de transmission	set support reducteur	set butee	set galet fou	reducteur	moteur	set couvercle moteur	set sabot de frein	set butee reducteur	joint set		
	DGT	DGT		DGP													
		Pos.1	Pos.2	Pos.3	Pos.1a	Pos.1b	Pos.1c	Pos.1d	Pos.2a	Pos.3a	Pos.3b	Pos.3b1	Pos.3b2	Pos.3c	Pos.3d		
m/min	ø mm	Codice/ Code	Codice/ Code	Codice/ Code	Codice/ Code	Codice/ Code	Codice/ Code	Codice/ Code	Codice/ Code	Codice/ Code	Codice/ Code	Codice/ Code	Codice/ Code	Codice/ Code	Codice/ Code		
63/16	400	DGT6A0M12 DX	DGT6A0M00	P2M5A13AA0	DGT6A0E12	DGT650352	---	DGT61S050	DGT6A0E20	DGP2BA121	M51AP30050	M5001S010	M5001S020	DGP21S010	DRH110410		
		DGT6A0M22 SX		P2M5A13KA0	DGT6A0E12	DGT650352	---	DGT61S050	DGT6A0E20	DGP2BA121	M51AP30051	M5001S010	M5001S020	DGP21S010	DRH110410		
		DGT6A0M32 DX		P3M6B33KA0	DGT6A0E12	DGT650362	---	DGT61S050	DGT6A0E20	DGP3BB311	M61AP30050	DRH11S010	DRH11S020	DGP31S010	DRH110410		
		DGT6A0M42 SX		P3M6B31KA0	DGT6A0E12	DGT650362	---	DGT61S050	DGT6A0E20	DGP3BB311	M61AP21050	DRH11S010	DRH11S020	DGP31S010	DRH110410		
	400 R	DGT6A0M82 DX	DGT6A0M50	P3M6B33KA0	DGT6A0E32	DGT650362	---	DGT61S050	DGT6A0E40	DGP3BB311	M61AP30050	DRH11S010	DRH11S020	DGP31S010	DRH110410		
		DGT6A0M92 SX		P3M6B31KA0	DGT6A0E32	DGT650362	---	DGT61S050	DGT6A0E40	DGP3BB311	M61AP21050	DRH11S010	DRH11S020	DGP31S010	DRH110410		
80/20	160	DGT2A0M10	DGT2A0M00	P0M2A43KA0	DGT2A0E10	DGT250350	DGT11S060	DGT21S050	DGT2A0E20	DGP0BA410	M21AP30051	M2001S010	M2001S020	DGP01S010	M20050230		
				P0M2A41KA0	DGT2A0E10	DGT250350	DGT11S060	DGT21S050	DGT2A0E20	DGP0BA410	M21AP21050	M2001S010	M2001S020	DGP01S010	M20050230		
				P1M3A43AA0	DGT2A0E10	DGT250360	DGT11S060	DGT21S050	DGT2A0E20	DGP1BA420	M31AP30050	M3001S010	M3001S020	DGP01S010	M20050230		
		P1M3A43KA0		DGT2A0E10	DGT250360	DGT11S060	DGT21S050	DGT2A0E20	DGP1BA420	M31AP30051	M3001S010	M3001S020	DGP01S010	M20050230			
		P1M3A41KA0		DGT2A0E10	DGT250360	DGT11S060	DGT21S050	DGT2A0E20	DGP1BA420	M31AP21050	M3001S010	M3001S020	DGP01S010	M20050230			
		P1M3A23KA0		DGT4A0E12	DGT450352	DGT41S060	DGT31S050	DGT4A0E20	DGP1BA220	M31AP30051	M3001S010	M3001S020	DGP01S010	M20050230			
	250	DGT4A0M12	DGT4A0M00	P1M3A21KA0	DGT4A0E12	DGT450352	DGT41S060	DGT31S050	DGT4A0E20	DGP1BA220	M31AP21050	M3001S010	M3001S020	DGP01S010	M20050230		
				P2M5A43AA0	DGT4A0E12	DGT550351	DGT41S060	DGT31S050	DGT4A0E20	DGP2BA421	M51AP30050	M5001S010	M5001S020	DGP21S010	DRH110410		
				P2M5A43KA0	DGT4A0E12	DGT550351	DGT41S060	DGT31S050	DGT4A0E20	DGP2BA421	M51AP30051	M5001S010	M5001S020	DGP21S010	DRH110410		
		DGT4A0M32		P2M5A41KA0	DGT4A0E12	DGT550351	DGT41S060	DGT31S050	DGT4A0E20	DGP2BA421	M51AP21050	M5001S010	M5001S020	DGP21S010	DRH110410		
				DGT6A0M12 DX	DGT6A0M00	P2M5A23KA0	DGT6A0E12	DGT650352	---	DGT61S050	DGT6A0E20	DGP2BA221	M51AP30051	M5001S010	M5001S020	DGP21S010	DRH110410
				DGT6A0M22 SX		P2M5A21KA0	DGT6A0E12	DGT650352	---	DGT61S050	DGT6A0E20	DGP2BA221	M51AP21050	M5001S010	M5001S020	DGP21S010	DRH110410
	DGT6A0M32 DX	P3M6B43KA0	DGT6A0E12	DGT650362		---	DGT61S050	DGT6A0E20	DGP3BB411	M61AP30050	DRH11S010	DRH11S020	DGP31S010	DRH110410			
	DGT6A0M42 SX	P3M6B41KA0	DGT6A0E12	DGT650362		---	DGT61S050	DGT6A0E20	DGP3BB411	M61AP21050	DRH11S010	DRH11S020	DGP31S010	DRH110410			
	400 R	DGT6A0M82 DX	DGT6A0M50	P3M6B41KA0	DGT6A0E32	DGT650362	---	DGT61S050	DGT6A0E40	DGP3BB411	M61AP21050	DRH11S010	DRH11S020	DGP31S010	DRH110410		
					DGT6A0E32	DGT650362	---	DGT61S050	DGT6A0E40	DGP3BB411	M61AP21050	DRH11S010	DRH11S020	DGP31S010	DRH110410		